

# ***Zling Eva Eye V2***

Portable Media Player

Manual V1.0

## Table of Contents

Welcome .....	3
Features.....	3
Minimum System Requirement .....	4
Important notes before you begin .....	4
Product Illustration .....	5
Quick Start! .....	6
Using the Media Conversion Program .....	6
To Play Video.....	9
To Play Audio.....	9
To Use DV .....	9
To Use Camera.....	10
To Display Pictures .....	11
Recording.....	11
Scheduled Recording.....	12
Ebook.....	13
Setup .....	13
Accessory .....	14
Supported Media Format .....	15
Troubleshooting .....	16
Technical Support.....	17
Disclaimer .....	17

## Welcome

Thank you for purchasing **Zling Eva Eye V2**. This User's Manual provides detailed instructions and illustrations to help you enjoy this multi-functional portable media player. Please read the manual carefully before you start to operate it.

## Features

Digital Camera	: 2.0 Max Mega Pixel (1600 x 1200)
Video Display	: 2.4" TFT LCD
Video Playback	: ASF Format (320x240) at 30fps
Video Formats	: ASF, AVI, VOB, DAT, WMV, MPEG, MOV, RMVB *
Video Recording	: 320x240(ASF format)
Voice Recording	: MP3
Audio Playback	: MP3(32kbps – 320kbps) WMA(48kbps – 128kbps)
Equalizer	: Flat/Rock/Pop/Jazz/Classic/Dance/Heavy/Disco/ Soft/Live/Hall
ID3 Tag	: ID3v1
Photo Display	: JPG format
Video Out	: NTSC / PAL
Speaker	: Built-in
Memory Support	: Built-in memory + External SD / MMC Cards
Battery	: Li-Polymer rechargeable
Output Power	: 5mW+5mW at 32 ohm
Frequency Response	: 20Hz-20kHz
Signal to Noise Ratio	: >85dB
USB Interface	: USB 2.0 Full Speed
Supported OS	: Windows ME / 2000 / XP / Vista (no driver required) Windows 98SE (driver required)
Physical Size	: 91mm(L) x 61mm(H) x 14mm(D)
Weight	: 85g

\*\* Transcoder software is included for converting different file extensions into ASF format.

All specifications are subject to change without notice.

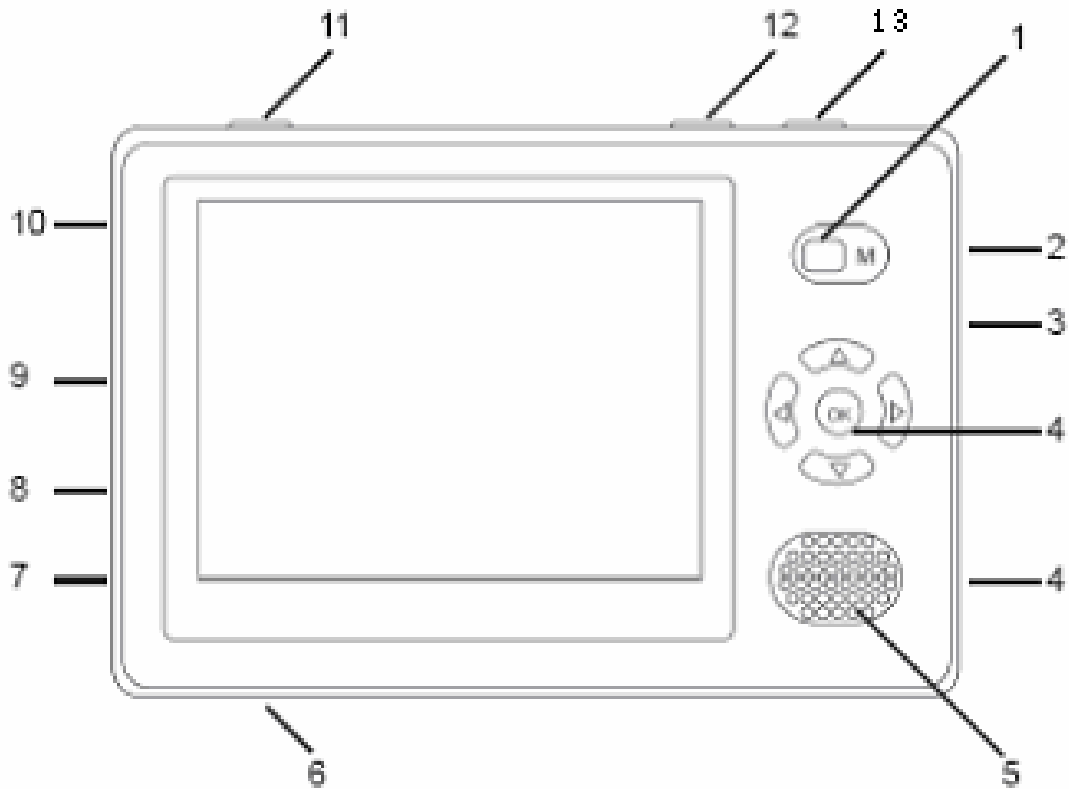
**Minimum System Requirement**

- Windows 98SE, Windows ME, Windows 2000 , Windows XP , Windows Vista
- One available USB Port
- CD ROM drive required for driver installation (Windows 98SE only)
- Windows Media Player 9 and Direct X 9.0c or above is required for video conversion software

**Important notes before you begin**

1. Do not operate the device under extreme temperature condition. The best working temperature is 0C – 40C.
2. Avoid placing the device to direct sun light.
3. Insert the SD/MMC card ONLY when the device is turned off. Failure to so may result in data loss or damage to the circuit.
4. Always back up your important files. The manufacturer is not liable for any loss of data.
5. Do not connect the USB port while the device is playing media files.

Product Illustration



MP4 Portable Media Player

- 1. Menu/Back Button
- 2. Microphone
- 3. Reset Switch
- 4. Play/OK Button
- 5. Hold Switch
- 6. Speaker
- 7. SD / MMC Slot
- 8. DC In
- 9. USB Port
- 10. AV In Port
- 11. AV/Earphone Out
- 12. Power Button
- 13. A Button
- 14. B Button
- 15. Camera sensor



## Quick Start!

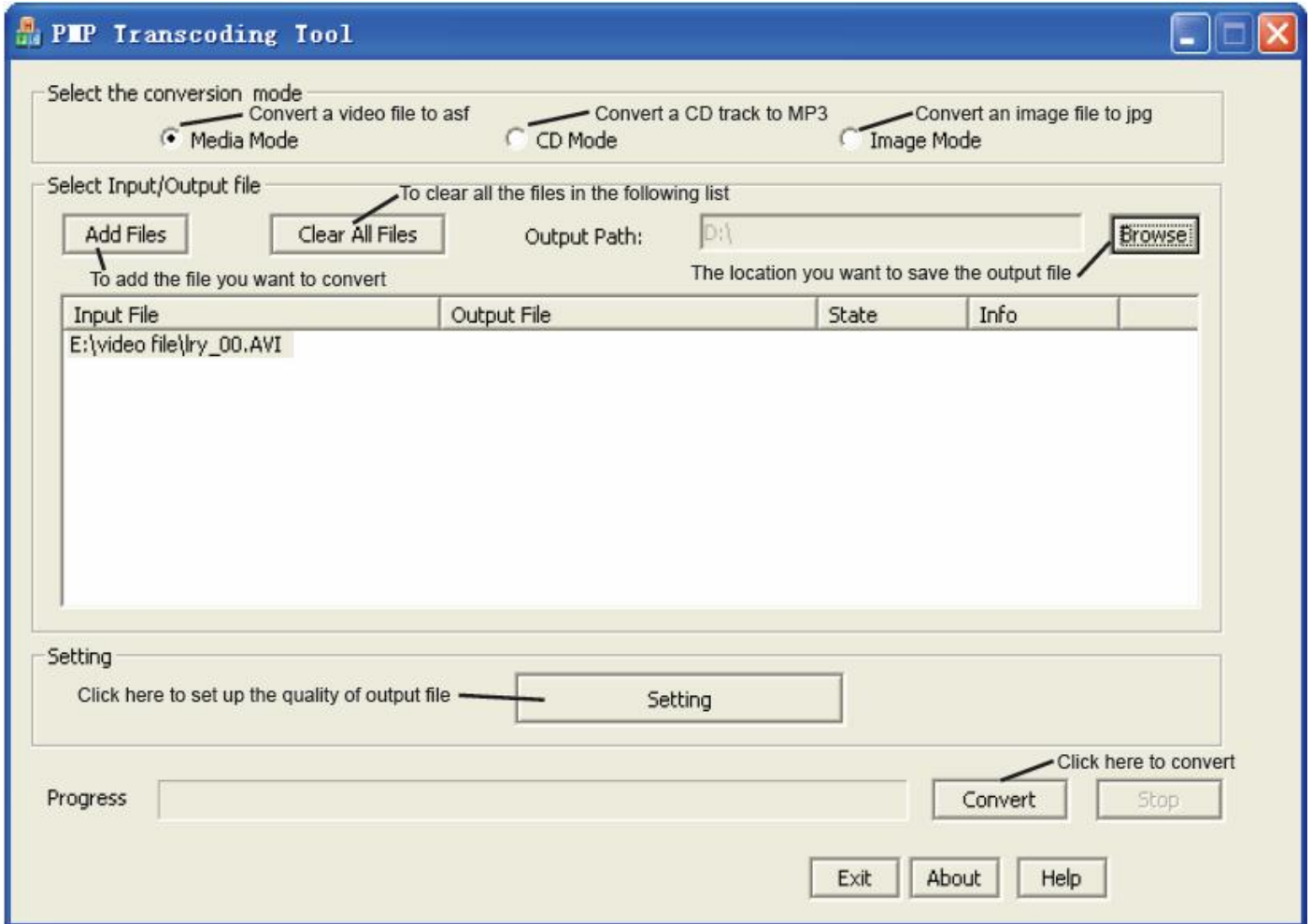
1. Charge the player by using the bundled AC adapter. The default charging time is 2-3 hrs. The LED will be turned on in Red while charging. It will be off when the battery is fully charged.
2. Use the bundled Media Conversion program to prepare your video, music and picture files for the player. See below "Using Media Conversion Program" section for details.
3. Press and hold POWER button to turn on the device. To turn off the device, press and hold the POWER button for 2 seconds.
4. Connect the device to computer by via the bundled USB cable. The "MSDC" screen will appear on the device. Any button on the device will be disabled in this mode. The computer will now detect the device and 2 removable drives will appear. One is the internal memory of the device and the other is the external memory respectively.
5. Now you can drag and drop the video files or audio files to the appropriate folders in the device. For optimal result, please use Media Conversion Program to convert the files before copying to the player.
6. **To select between earphones out or speaker out, press "B" button while on the main menu screen.**

## Using the Media Conversion Program

Your PMP Player has come with a very useful media converter that allows you to convert Video, Music and Picture files to be played with the player. Insert CD ROM driver and run "Setup.exe" from "Transcoder" folder. Follow the screen instruction and proceed.

**1. Function**

The PMP Transcoding Tool can convert a video file to .asf, CD Tracks to .mp3 or an image file to .jpg



## 2. Step

1. Select the conversion mode
2. Browse and select the input file (include the full file path)
3. Browse and select the output file (you may write it by yourself but include the full file path) and designate it to the correct folder of the player. For example,

<b>Video files</b>	---	<b>D:\Video</b>
<b>Picture files</b>	---	<b>D:\DCIM\100MEDIA</b>
<b>MP3 files</b>	---	<b>D:\MP3</b>

\*\* Assumed C: is your only HDD then D: will be assigned for the device's internal memory. And E: will be assigned to external memory card if it is in used.

4. Click "settings" to set up the quality, video size, frame rate and so on;
5. Click "Convert" to begin converting;
6. Stop conversion when converting (if you want)
7. Play the output file when conversion ended (if you want)
8. End program (if you want to exit)

Now you have successfully converted the media files into the player.

## To Play Video



1. In the main menu screen, select VIDEO and click “OK” to confirm and enter.
2. In the video selection screen, select the video file that you wish to play and press “OK” to start playing. To pause the video, simply press “OK” button again.
3. To display the video file information, select the video file and press “B” button in the video selection screen.
4. Press “UP” and “Down” button to control the volume up/down.
5. To exit the current section, press the “MENU” button.

**Video Bookmark** – During the video playback, you can always press “MENU” to exist and turn off the device. The device will playback the video track where it was last saved. However, if you switch to the other movie clips by pressing “Forward” and “Backward” buttons while watching the current one, no video bookmark will be saved into the current clip.

## To Play Audio



1. In the main menu screen, select AUDIO and click “OK” to confirm and enter.
2. In the audio selection screen, press “B” button to cycle through normal, fast browsing, repeat once, repeat all and random play settings.
3. Select the audio file that you wish to play and press “OK” to start playing.
4. During audio playback, press “B” button to cycle through various EQ settings.
5. Press “A” button to set A/B repeat.
6. To exit the current section, press the “MENU” button.

## To Use DV



1. In the main menu screen, select AV and click “OK” to confirm and enter.
2. The image captured by the sensor will display in screen;

3. Press “B” button to begin DV recording, press “B” button again to stop;
4. Press “>”button to reduce the value of EV(Exposure value compensation), the lowest value is “ -1.5EV”;press “<” button to increase the value of EV, the highest value is “+1.5EV ”; .
5. After the video recording is finished, please turn to “video” menu to watch it;

**To Use Camera**



1. In the main menu screen, select camera and click “OK” to confirm and enter.
2. The image captured by the sensor will display in screen;
3. Press “B” button to begin shooting;
4. Press “UP” and “DOWN” button to change the digital zoom menu, the value of focus can be change from “1.00” to “ 4.00”;
5. Press “>”button to reduce the value of EV, the lowest value is “ -1.5EV”;press “<” button to increase the value of EV, the highest value is “+1.5EV ”;
6. Press “B” button to setup “Preview mode” ,the function is listed as follows:

Menu	Sub menu	Function
Capture	Single	Normal shooting
	Self snap	Self Timer shooting after 10 sec
	2.0M	1600x1200 pixels
	1.3M	1280x1024 pixels
	VGA	800x600 pixels
Image Quality	Fine	Fine quality
	Standard	Standard quality
White balance	Auto	Auto setting
	Daylight	Suitable for light source from sun
	Cloudy	Suitable for environment under cloudy
	Tungsten	Suitable for light source from bulb
	Fluorescent	Suitable for light source from fluorescent lamp
Effect	Sephia	Classic mode
	BW	Black and white mode
	Negative	Negative mode
	Normal	Normal shooting mode
Sharpness	Normal	Adjusts the sharpness of images to normal
	Soft	Adjusts the sharpness of images to soft
	Sharp	Adjusts the sharpness of images to sharp
Data stamp	On	Turn on the date stamp displaying
	Off	Turn off the date stamp displaying

## To Display Pictures



1. In the main menu screen, select PHOTO and click “OK” to confirm and enter.
2. In the Picture selection screen, select the picture file that you wish to display and press “OK” to start.
3. The player supports “Picture Bridge” function.\*\* In the full screen picture display, press “B” to bring up the Printing menu. Select either 3R, 4R or print default and click “OK” to execute.
4. During the full screen picture display, press “A” button to set the picture as boot up screen.
5. Press “UP” and “DOWN” buttons to zoom in/out of the picture. And press “OK” to enable navigation mode. You can then press <<, >>, UP and DOWN” to navigate the picture.
6. To slide all pictures automatically, press button B for 2 seconds on picture display screen.
7. To exit the current section, press the “MENU” button.

**\*\* Your printer needs to support Picture Bridge function.**

**To delete a file** - Under Video, Audio or Photo main selection screen, simply press “B” button. The delete menu will appear with options of:-> Cancel -> Delete Current -> Delete All.

## Recording



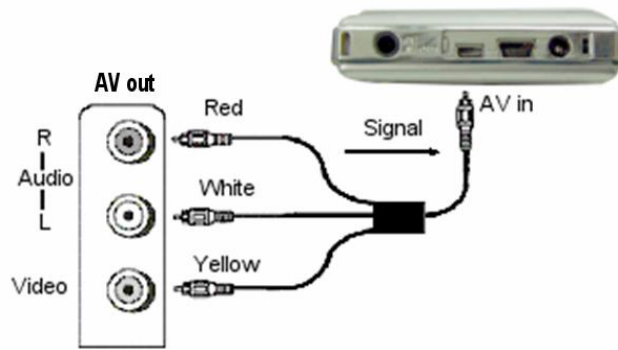
The device is capable of recording your favorite TV program into MPEG 4 format. It can also record voice via its microphone and record audio signal only via AV in.

**AV in(video & audio)** – In the main menu screen, select RECORDING and press “OK” to confirm and enter.

1. Select “Av in” and press “OK”.
2. Plug in the bundled AV cable to the device and connect the RCA connectors to your video device (For example TV).
3. Press “OK” to start recording. The yellow icon on the upper left corner will start blinking to red to indicate the recording is in progress.
4. Press “MENU” to stop a recording.

### Notes:

To record TV program via your PMP, you should connect the bundled AV cable to the “AV out” of TV set / DVD player as the picture shows below, the other side of the cable should be plugged into “AV in” port of your PMP.



### Mic only(audio)

1. Select "Mic Only" and press "OK".
2. Press "OK" to start recording. The time meter will appear to indicate the recording is in progress.
3. Press "MENU" to stop a recording.

### Line in(audio only).

1. Select "Audio Only" and press "OK".
2. Press "OK" to start recording. The time meter will appear to indicate the recording is in progress.
3. Press "MENU" to stop a recording.

Press "Menu" button to exist the current section.

### Note:

- It is recommended that the volume of the audio source to be adjusted to its louder level to achieve the optimal recording result.

### Scheduled Recording



The device is able to perform scheduled recording function by setting the internal recording timer.

1. Go to Setup menu and press "OK".
2. Select "OnTimeRec" and press "OK".
3. Switch to "ON" by pressing "Up" button.
4. Set "Hour" and "Min" for which you wish the player to start recording automatically.
5. In the "Length" section, set how many minutes you wish the player to record. And click "OK" to confirm.
6. Press "Menu" button to exist. The player's timer is now on and will start recording automatically based on your scheduled setting.

**Note:** It is highly recommended that the player is connected to AC power in order to avoid battery runs out. The PMP will start recording automatically when system time meets the preset time.

## Ebook



Supports text file of ANSI coding, please copy such type of file to X:\Ebook(where X is the drive letter of the PMP player; and in the main menu screen ,select Ebook menu and press “OK” to enter, then select the text file you want to read to press “OK” button to read;

## Setup



**Time**



**Scheduled Recording**



**Alarm Clock**



**Key Tones**



**Storage**



**Format**



**Auto Off**



**Language**



**Default**



**TV\_Out**

**Time** – Set the Year, Month, Day and Time for the internal real time clock.

**Scheduled Recording** – Schedule the time to start a recording and the video length to record.

**Alarm Clock** – Set the time to sound. The alarm clock will sound even if the player is turned off.

**Key Tones** – To turn the key tones on or off.

**Storage** – Set to use either Nandflash or external memory card.

**Format** – Set to format the memory. Important! All data will be lost after formatting.

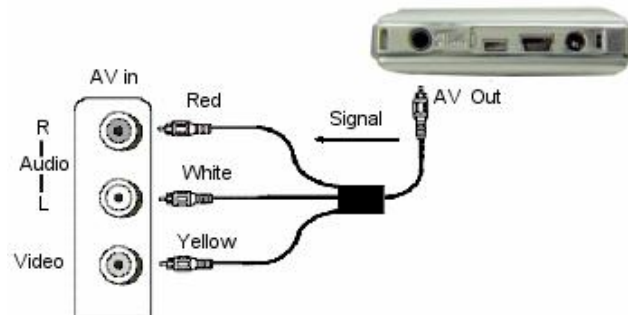
**Auto Off** – Set the time to automatically power off or LCD off after certain period of idle.

**Language** – Available in English, Traditional Chinese, Simplified Chinese, Spanish, Portuguese, Italian, German and France.

**Default** – Set everything back to factory default settings.

**TV Out** – Set the video output signal to TV PAL, TV NTSC or the device’s LCD.

**Note:** To output program to TV set, you should plug in the AV cable to the “AV in” of TV set / DVD player as the picture shows below, the other side of the cable should be plugged into “AV out” port of your PMP.



## Accessory



The player has come with a calendar, 3 games and memory indicator.

**Memory** – If an external memory is in used, it will display its remaining capacity in priority. If you want to display the internal memory, you will need to set it in the SETUP screen.

**Calendar** – To show the Year, Month and Day you have set .

## Supported Media Format

**Video**

File extension	Supported by device	Supported by PC conversion
.mpg	No	Yes *2
.avi	Yes *1	Yes *2
.asf	Yes *1	Yes *2
.vob	No	Yes *2
.wmv	No	Yes *2
.dat	No	Yes *2
.rmvb	No	Yes *3

**Audio**

File extension	Supported by device	Supported by PC conversion
		*2
.wma	Yes *1	Yes
.mp3	Yes	Yes

**Picture**

File extension	Supported by device	Supported by PC conversion
		*2
.jpg	Yes *1	Yes
.bmp	No	Yes
.tiff	No	Yes
.gif	No	Yes

**Note:**

\*1 – Only applies to some specific encode format.

\*2 – Must comply with the decode/encode requirement of the conversion program.

\*3 – The storm codec (<http://www.softpedia.com/get/Multimedia/Video/Codec-Packs-Video-Codex/Storm-Codec.shtml>)

should be installed for .rmvb conversion. In the selection of .rmvb file, please select the files of type “All files”

## Troubleshooting

Symptoms	Possible Reasons	Actions
1 Can not start up	Check whether the battery is too low	Recharge the battery
	Check if the HOLD button is set to ON.	Set the HOLD button to OFF.
2 No Sound from Earphones	Check whether the battery is too low	Recharge the battery
	Check if the earphone is set to off.	Set the "A" button to set it on in the main menu.
	Check if the jack is detached from the unit	Re-install the earphones again.
	Check if the VOLUMN is set to "0".	Increase the volume.
	Check whether the plug is contaminated / oxidized.	Clean the jack.
3 Can not play video files	Check if the HOLD button is set to ON.	Set the HOLD button to OFF.
	Check whether the battery is too low	Recharge the battery
	Check if the files are downloaded in right folder.	Move the files to the right folder.
	Check if the files format is supported by the PMP	Transfer the video files to supported format with PMP Transcoding Tool
4 System hangs	Check whether you have do some invalid operation.	Press "reset" button to turn off the PMP and then turn it on again.
5 Invalid character on LCD screen	The character isn't supported by the language you set	Change the language setting
6 Fail to download or upload of files	Check whether the battery is too low	Recharge the battery
	Check the connection of USB cable.	Re-plug the cable at both ends.
	Damaged USB cable.	Replace a new USB cable.
	Memory is full.	Delete some files to release memory space.
7 Can not browse pictures	Check whether the pictures are located in right folder.	Move pictures to the right folder.
	Check whether the format of the picture is supported	Transfer the picture to supported format with PMP Transcoding Tool

## Technical Support

Access latest driver update and software enhancement via our web site: [www.z-cyber.net/support](http://www.z-cyber.net/support).

This manual only provides information that may help you operate the player more efficiently. If you are not able to find answers from the troubleshooting above, you can contact us via email at [support@zoltrix.com](mailto:support@zoltrix.com).

## Disclaimer

Our company bears no responsibility for any damage arising from improper operation, software, product maintenance, battery change, incidental loss of personal data, or any claim made by any third party. We also reserve the right to make any modification in this manual at any time without prior notice.